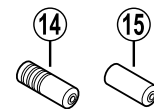
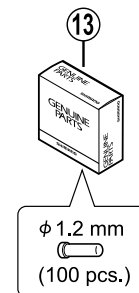
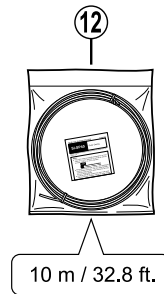
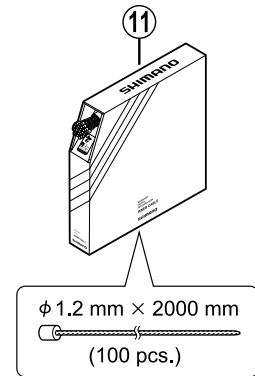
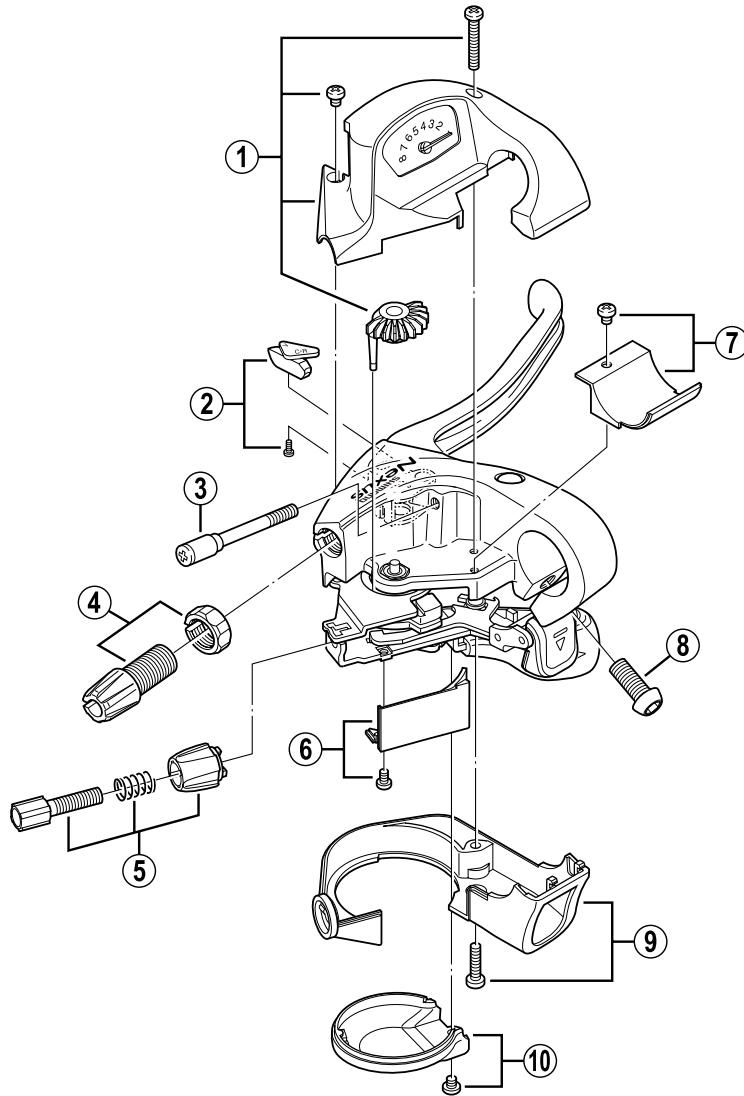


SHIMANO NEXUS Tap-Fire Lever
ST-8S20 For 8-Speed



Q'TY	ITEM NO.	SHIMANO CODE NO.	DESCRIPTION
	1	Y-6JB 98010	Indicator Unit
	2	Y-8TS 98010	R.H. Adjustment Block & Screw
	3	Y-6JB 98030	Reach Adjusting Screw (M4 x 47) w/Cap
	4	Y-6JB 98040	Brake Cable Adjusting Bolt (M10 x 19) & Nut
	5	Y-61W98030	Cable Adjusting Bolt Unit
	6	Y-6JB 98050	Cable Cover & Cover Fixing Screw (M2.5 x 4)
	7	Y-6JB 98060	Tap Cover & Fixing Screw (M3 x 4)
	8	Y-8SB 10000	Clamp Bolt (M6 x 14.8)
	9	Y-6JB 98070	Lower Cover & Cover Fixing Screw (M3 x 12)
	10	Y-6JB 98080	Main Lever Cover & Fixing Screw (M3 x 4)
	11	Y-600 98510	Inner Cable Box (Stainless / 100 pcs.) for Shift
	12	Y-6Z2 98100	SIS-SP40 Outer Casing (Black) for Shift
	13	Y-620 98030	Inner End Caps (φ 1.2 mm / 100 pcs.)
	14	Y-6Z2 98010	SIS-SP40 Sealed Outer Caps (Shift Lever Side / Black / φ 6 mm / 100 pcs.)
	15	Y-6Z1 90010	SIS-SP40 Sealed Outer Cap (Cassette Joint Side / Silver / φ 6 mm)