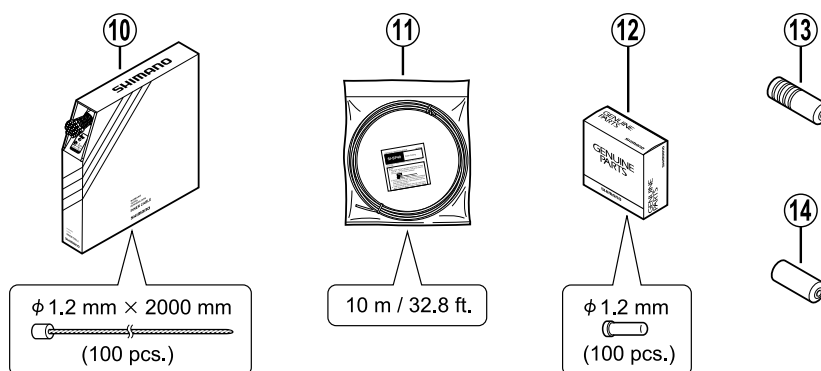
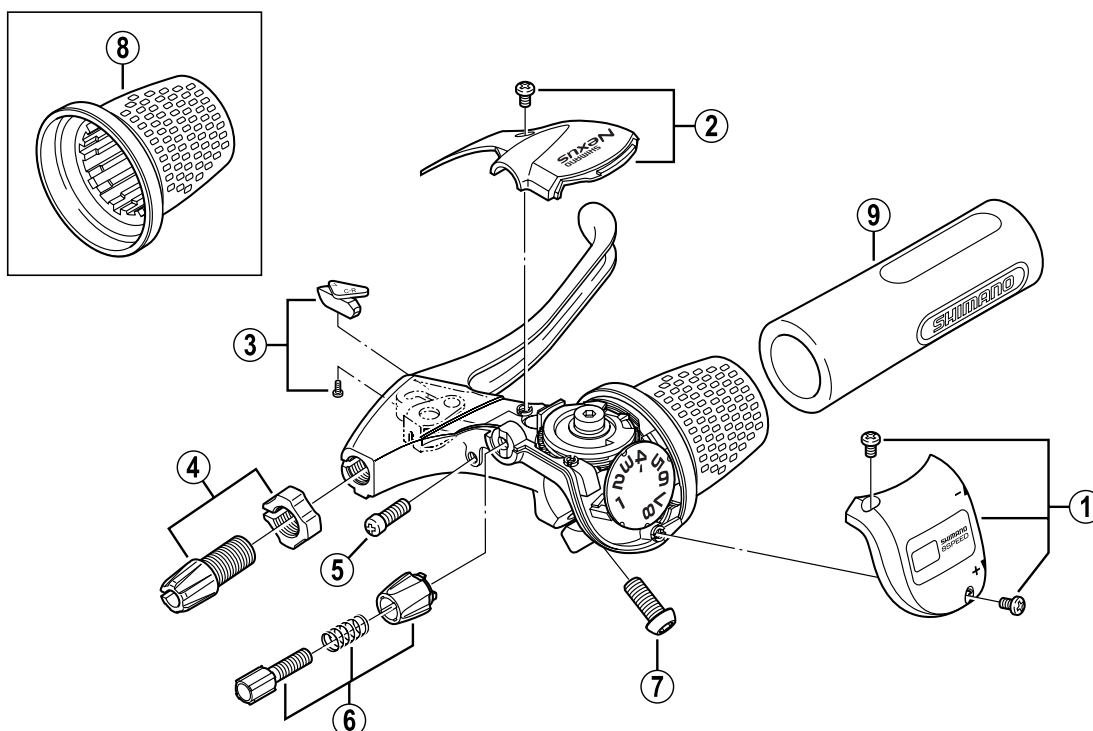


SHIMANO NEXUS Revo-Shift Lever  
**SB-8S20** For 8-Speed



Q'TY	ITEM NO.	SHIMANO CODE NO.	DESCRIPTION
	1	Y-6J3 98010	Indicator Cover & Fixing Screws (M3 x 5)
	2	Y-6J3 98030	Upper Cover & Fixing Screw (M3 x 5)
	3	Y-8TS 98010	R.H. Adjustment Block & Screw
	4	Y-8S8 98010	Brake Cable Adjusting Bolt (M10 x 19) & Nut
	5	Y-89E 05010	Reach Adjusting Screw (M4 x 10.8)
	6	Y-61W98030	Cable Adjusting Bolt Unit
	7	Y-8SB 10000	Clamp Bolt (M6 x 14.8)
	8	Y-6J3 04000	Shift Actuator (Black)
	9	Y-61X 14010	Half Grip (φ 22.2 mm / Black)
	10	Y-600 98510	Inner Cable Box (Stainless / 100 pcs.) for Shift
	11	Y-6Z2 98100	SIS-SP40 Outer Casing (Black) for Shift
	12	Y-620 98030	Inner End Caps (φ 1.2 mm / 100 pcs.)
	13	Y-6Z2 98010	SIS-SP40 Sealed Outer Caps (Revo-Shift Lever Side / Black / φ 6 mm / 100 pcs.)
	14	Y-6Z1 90010	SIS-SP40 Sealed Outer Cap (Cassette Joint Side / Silver / φ 6 mm)